



## Plus5E & Plus5L Series

Line Interactive UPS

600VA - 2000VA (LV: 110/115/120Vac)

## Plus5E & Plus5L Series

---



**Plus5E Series**  
- LED Model -



**Plus5L Series**  
- LCD Model -

# Product Introduction

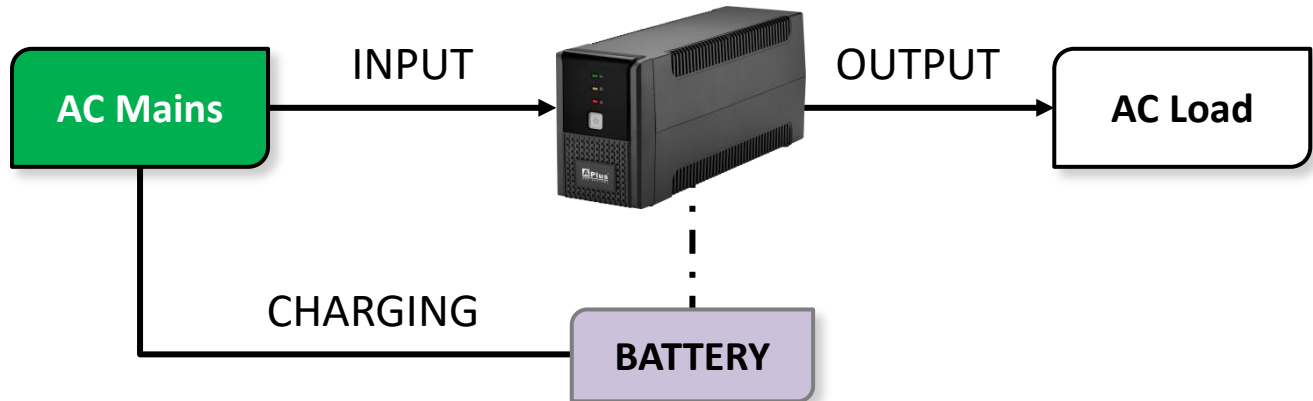
**Plus5E & Plus5L Series** is line interactive UPS provides guaranteed battery backup power during outage and unsafe fluctuation, along with full protection from damaging surges and spikes.

The UPS integrated with microprocessor controller, voltage stabilizer, LED or LCD indicators and battery easy replacement in a stand-alone unit, to provide the perfect protection to safeguard your critical devices and valued data.

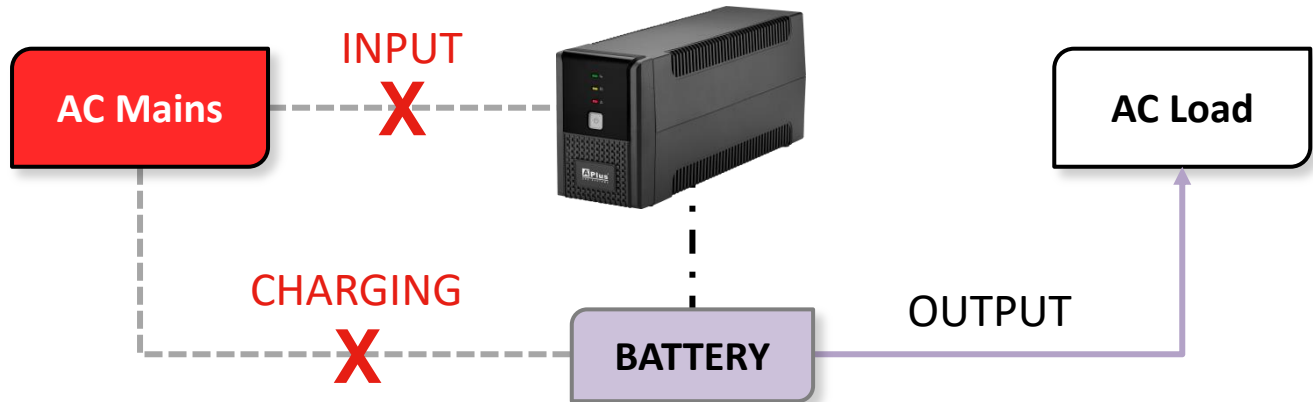


# Basic Functional Module and Power Topology

AC Normal

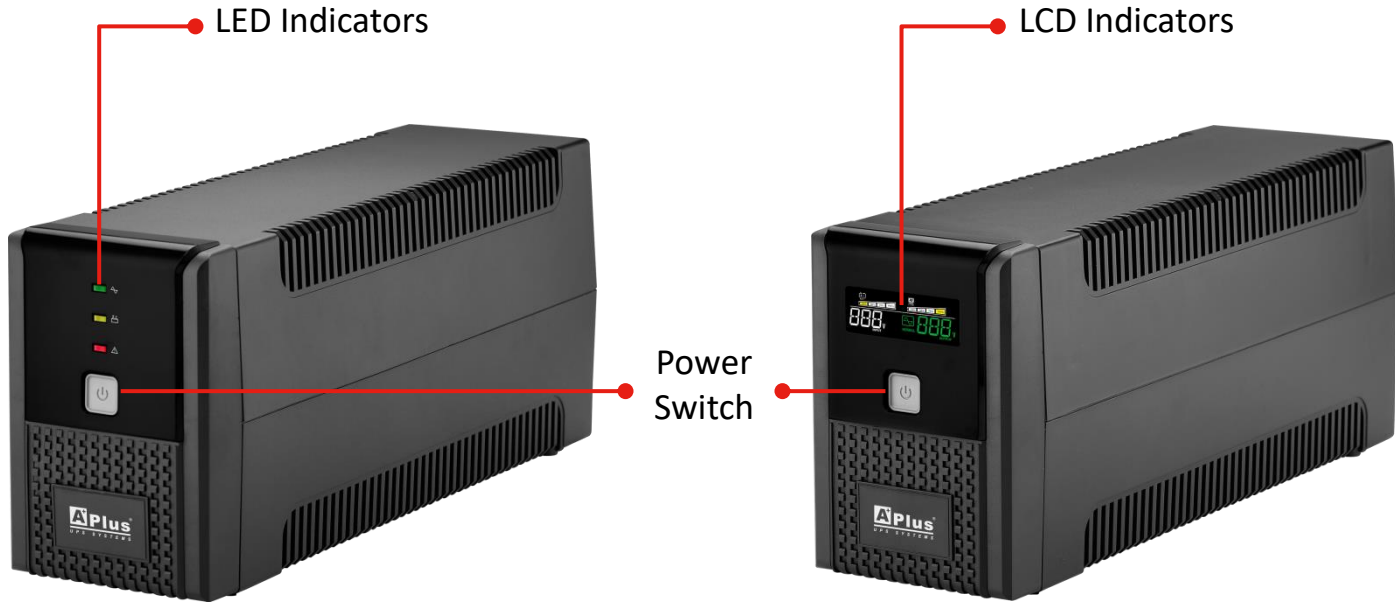


Battery Mode



# Structural Diagram

Front Panel (600-800VA)

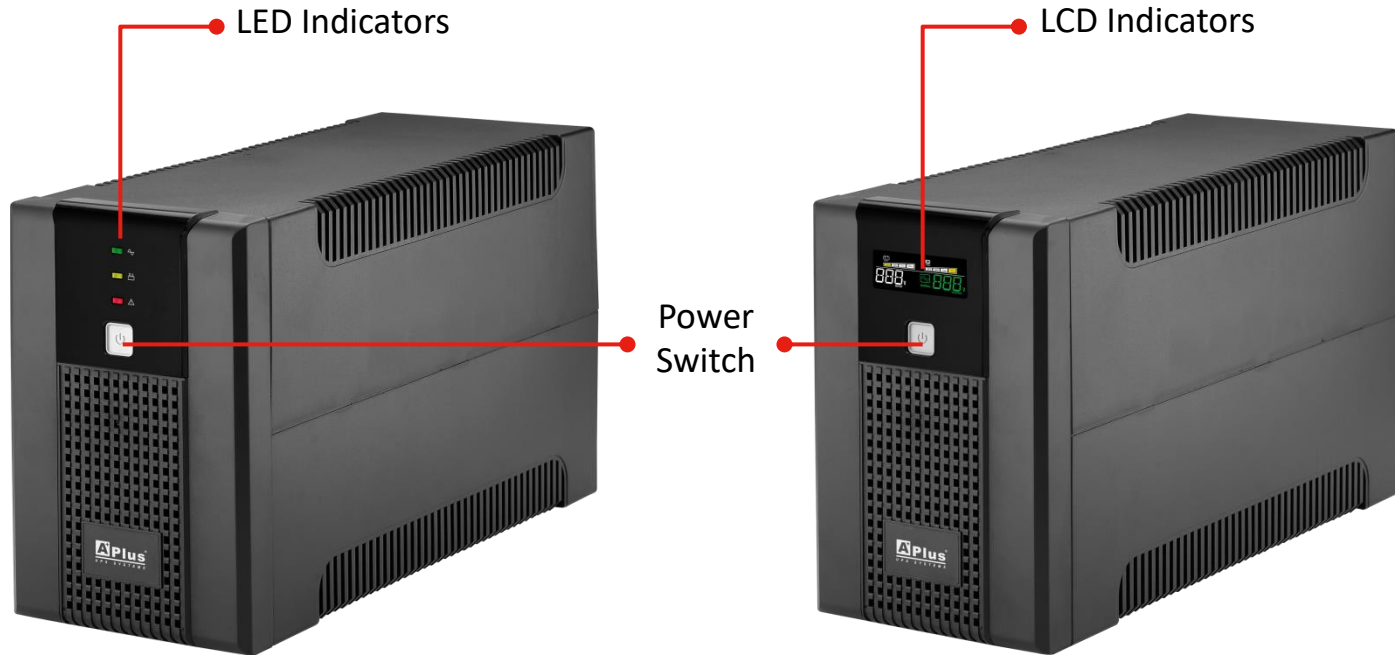


**Plus5E Series**

**Plus5L Series**

# Structural Diagram

Front Panel (1000-2000VA)

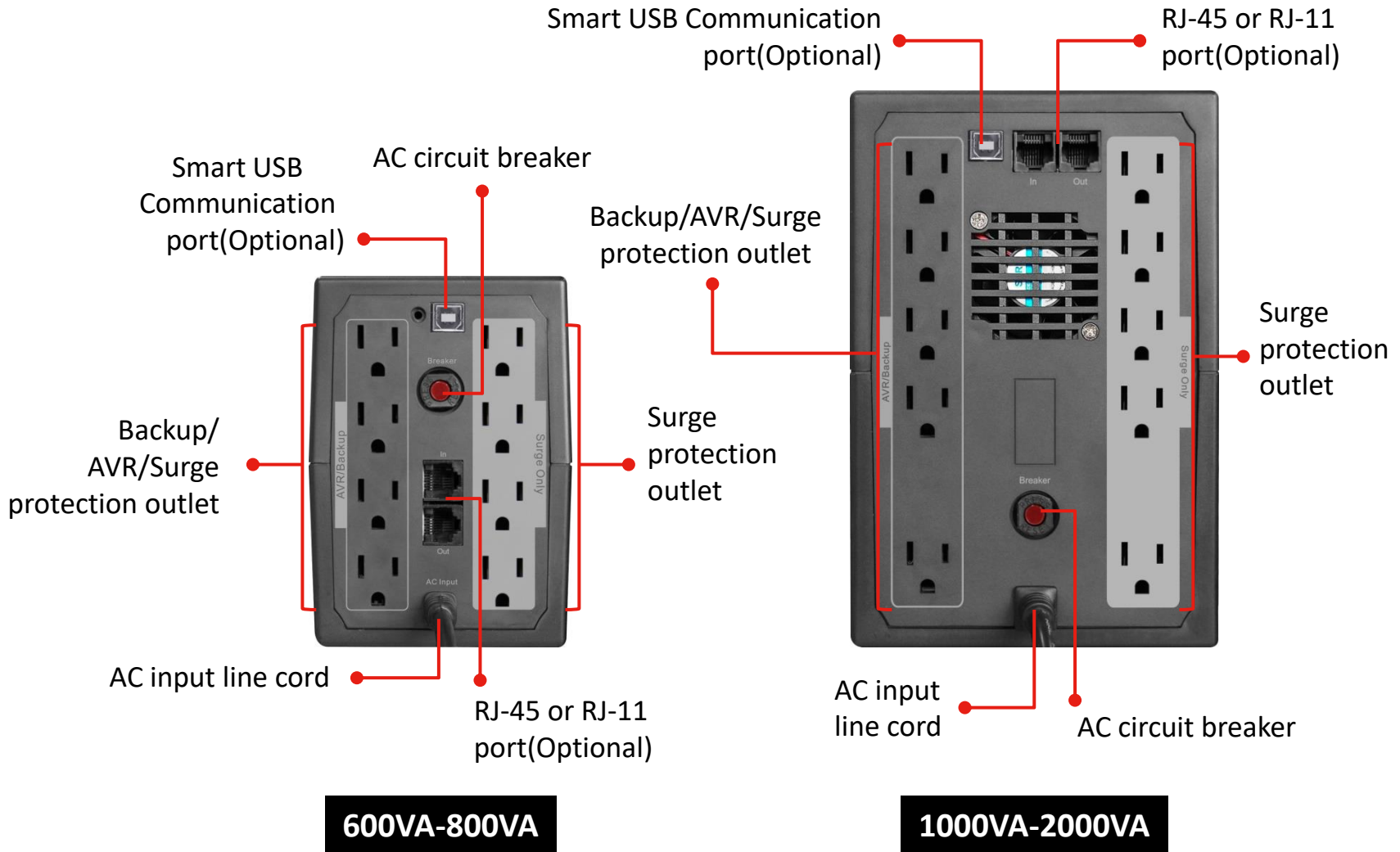


**Plus5E Series**

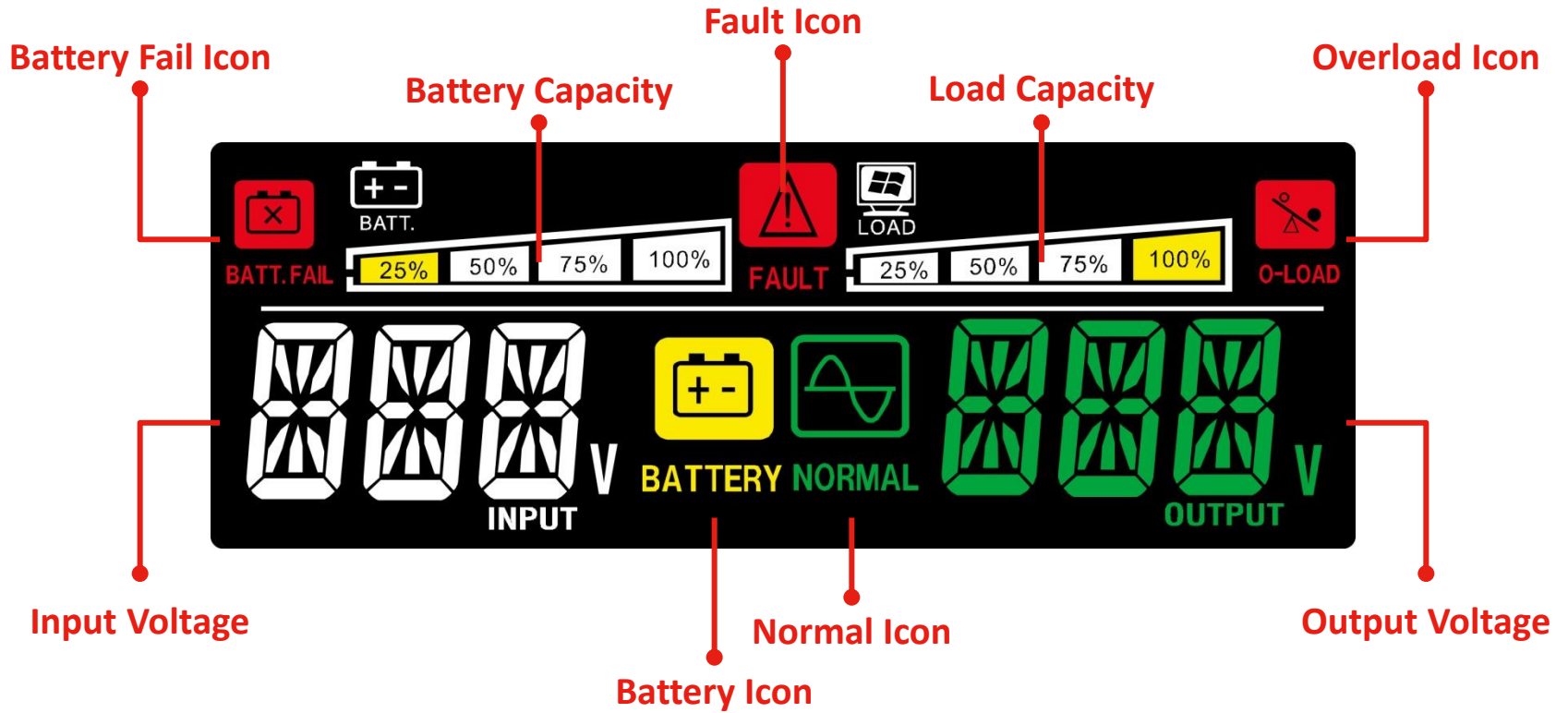
**Plus5L Series**

# Structural Diagram

## Rear Panel (US Socket)



# LCD with Color Display





## Features

- UPS will shut down upon battery low ; UPS will restart automatically upon AC recovery (Auto-restart)
- Controlled by a technologically advanced microprocessor guaranteeing high reliability
- USB port and monitor software is designed to manage UPS status via PC (Optional)
- Built-in DC start function enables UPS to be started without AC power supplied
- Equipped with 2-steps boost & 1-step buck AVR to stabilize output voltage
- Constant current, constant voltage battery charger (CCCV Battery Charger)
- UPS will charge itself even though power switch is off (Off mode charging)
- Over / under voltage protection (UPS will go to battery mode)
- Lightning / surge protection 175 joules
- Easy replacement battery design

# Specifications

CAPACITY	600VA/360W	800VA/480W	1000VA/600W	1200VA/720W	1500VA/900W	2000VA/1200W
INPUT						
Voltage	110/115/120Vac					
Voltage Range	-30%, +25%					
Frequency	50Hz or 60Hz (Auto-sensing)					
OUTPUT						
Voltage Regulation	+/-10%					
Frequency	AC mode: 47-53Hz for 50Hz or 57-63Hz for 60Hz ; Battery mode: 50Hz or 60Hz +/-1Hz					
Waveform	Simulated Sinewave					
Transfer Time	<6ms (Typical)					
Outlet: Nema5-15R	4pcs Backup/AVR/Surge protected + 4pcs Surge protected only			5pcs Backup/AVR/Surge protected + 5pcs Surge protected only		
BATTERY						
Type	Maintenance free sealed lead-acid battery					
Voltage	12VDC			24VDC		
Capacity & Number	12V/7AH*1pc	12V/9AH*1pc	12V/7AH*2pcs	12V/7AH*2pcs	12V/9AH*2pcs	12V/9AH*2pcs

\*Product specifications are subject to change without further notice.

# Specifications

CAPACITY	600VA/360W	800VA/480W	1000VA/600W	1200VA/720W	1500VA/900W	2000VA/1200W
Recharge Time	5 hours to 90% after complete discharge					
Safety Protection	Over Charge & Over Discharge Protection					
Advanced Battery Management	Yes					
INDICATORS						
LED Model	AC normal(Green), Backup(Yellow), UPS Cut-off(Red)					
LCD Model	Programmed LCD					
Alarm	Buzzer ON for battery mode, low battery, overload, fault					
MANAGEMENT						
USB Communication Port	Plus5E / Plus5L series: N/A					
	Plus5E-U / Plus5L-U series: Yes, and download software is included					
ENVIRONMENT						
Operating Temperature	0°C-40°C (32°F-104°F)					
Humidity	0-95% (Non-condensing)					
Acoustic Noise	<40dB at 1M					
PHYSICAL(D*W*H)						
Dimension	315.5*100*141mm		343*135*208mm			

\*Product specifications are subject to change without further notice.

## Model Table-LED Model

MODEL NAME	POWER RATING	INDICATORS	USB COMMUNICATION PORT
Plus5E-600N	600VA/360W	LED	N/A
Plus5E-U600N			YES
Plus5E-800N	800VA/480W		N/A
Plus5E-U800N			YES
Plus5E-1000N	1000VA/600W		N/A
Plus5E-U1000N			YES
Plus5E-1200N	1200VA/720W		N/A
Plus5E-U1200N			YES
Plus5E-1500N	1500VA/900W		N/A
Plus5E-U1500N			YES
Plus5E-2000N	2000VA/1200W		N/A
Plus5E-U2000N			YES

\*Product specifications are subject to change without further notice.

## Model Table-LCD Model

MODEL NAME	POWER RATING	INDICATORS	USB COMMUNICATION PORT
Plus5L-600N	600VA/360W	LCD	N/A
Plus5L-U600N			YES
Plus5L-800N	800VA/480W		N/A
Plus5L-U800N			YES
Plus5L-1000N	1000VA/600W		N/A
Plus5L-U1000N			YES
Plus5L-1200N	1200VA/720W		N/A
Plus5L-U1200N			YES
Plus5L-1500N	1500VA/900W		N/A
Plus5L-U1500N			YES
Plus5L-2000N	2000VA/1200W		N/A
Plus5L-U2000N			YES

\*Product specifications are subject to change without further notice.



**APLUS POWER CORP.**

Aplus, Reliable Power Brand Deserve Your Trust